



Opzv Series

BSB Opzv Series Valve Regulated Lead Acid batteries are designed with a proven combination of GEL and Tubular technologies to offer a very high lever of reliability. Opzv batteries benefit from an optimized plate design which gives capacities in excess of the DIN standard values. In addition, this series offers both a longest float life and a high cycle life in widely industrial field.

Application

- | | |
|--------------------|---------------------------|
| Telecommunications | Medical Equipment |
| Cable Television | UPS |
| Electric Utility | Railroad Utility |
| Control Equipment | Photovoltaic System |
| Security System | Alternative Energy System |

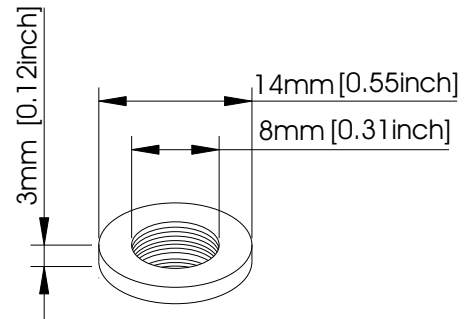


General Features

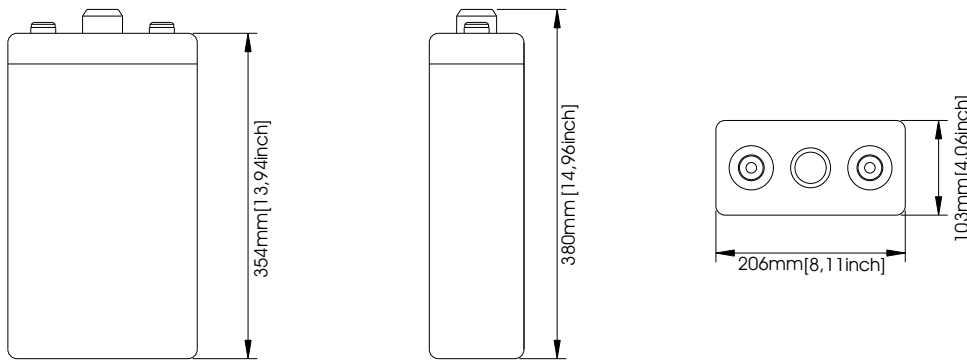
- Sealed and maintenance free operation.
- Non-Spillable construction design.
- ABS containers and covers(UL94HB, UL94V-0) optional.
- Safety valve installation for explosion proof.
- High quality and high reliability.
- Super long service life.
- Lowest self discharge characteristic.
- Super reliability.

Construction

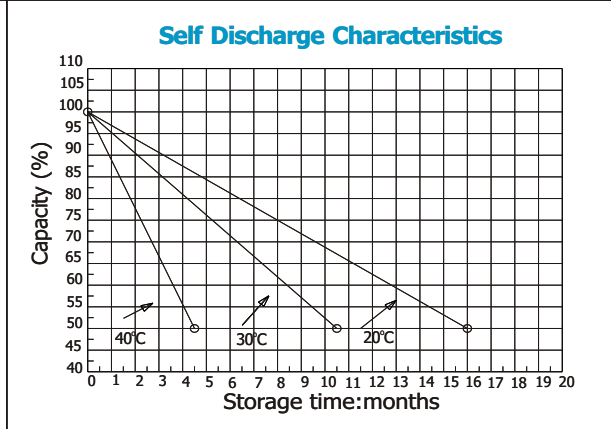
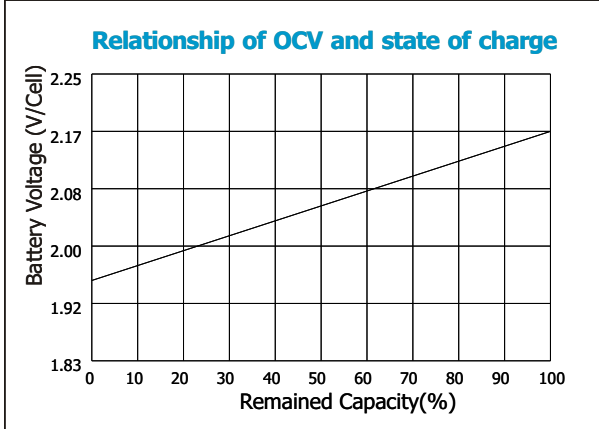
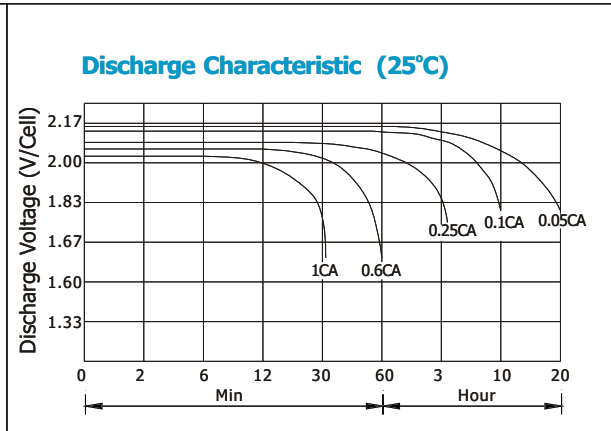
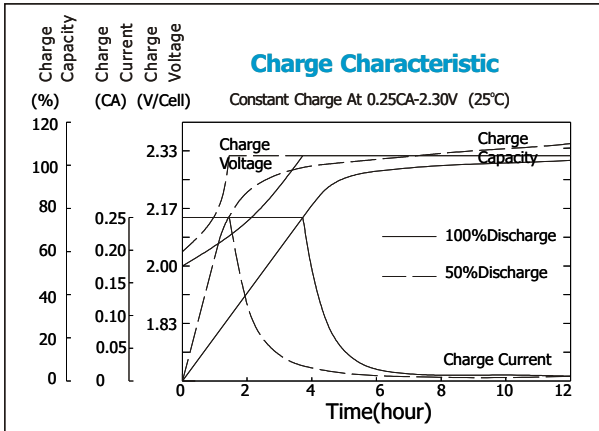
- | | | | |
|-----------|-------------------|--------------|---------------------------------------|
| Component |Raw material | Sealant |Epoxy Resin |
| Positive |Lead dioxide | Safety valve |EPDR |
| Negative |Lead | Terminal |Copper |
| Container |ABS | Separator |PVC-SiO ₂ |
| Cover |ABS | Electrolyte |Sulfuric acid
Thixotropic Gel |



Terminal Dimensions



Battery Model	OPzV 2-200			
Designed Floating Life	15 Years			
Capacity(25°C)	20HR(10.5A,1.75V)	10HR(20A,1.75V)	5HR(36.3A,1.75V)	1HR(134A,1.75V)
	210AH	200AH	181.5AH	134AH
Dimensions	Length	Width	Height	Total Height
	103mm(4.06inch)	206mm(8.11inch)	354mm(13.94inch)	380mm(14.96inch)
Approx. Weight	20Kg (44.10 lbs)			
Internal Resistance	Full charged at 25°C: 0.0008 Ohm			
Self Discharge	3% of capacity declined per month at (25°C)			
Capacity Affected by Temp.(20HR)	40°C	25°C	0°C	-15°C
	102%	100%	85%	65%
Charge Voltage(25°C)	Cycle use		Float use	
	2.3V-2.35V(-5mV/ °C), max. Current: 40A		2.25-2.27V(-3.3mV/ °C)	



Constant current discharge ratings-amperes at 25°C

F.V/Time	15MIN	30MIN	1HR	2HR	3HR	5HR	8HR	10HR	20HR
1.70V	250	172	111	66.8	50.0	34.5	24.0	21.0	11.0
1.75V	227	165	110	65.6	50.0	34.0	24.0	20.0	10.9
1.80V	202	154	102	63.6	50.0	33.5	23.5	20.0	10.7
1.83V	186	146	98.5	62.0	47.0	32.5	23.0	19.5	10.5
1.87V	164	132	91.5	58.5	44.5	31.5	21.6	18.5	10.3
1.90V	148	120	85.0	55.0	42.0	30.0	20.5	18.0	10.1

Constant power discharge ratings-watts at 25°C

F.V/Time	15MIN	30MIN	1HR	2HR	3HR	5HR	8HR	10HR	20HR
1.70V	416	296	234	121	100	75.7	51.4	42.9	22.5
1.75V	368	289	211	118	100	73.7	50.5	40.9	22.3
1.80V	326	277	194	120	99.0	72.0	48.7	39.7	21.3
1.83V	311	261	185	119	98.2	70.1	47.9	39.1	21.0
1.87V	290	244	181	118	96.0	69.5	45.3	37.5	20.9
1.90V	276	221	174	113	92.6	67.0	44.6	36.4	20.4

